

The Ray Allen Company Inc.

2525-8 Pioneer Avenue, Vista, CA 92081 USA Phone 760 599 4720 FAX 760 599 4383

www.rayallencompany.com

REL-1 SERVO RELAY DECK

INSTALLATION INSTRUCTIONS

Secure the relay deck to the airframe or simply tie it onto a bundle of wires using nylon straps, etc.

Wire according to **DIAGRAM 1** if you are installing a SPDT switch and one servo. Refer to **DIAGRAM 2** if you are using a ROS-4 4-way switch. Refer to **DIAGRAM 3** if you are using relays with a RAC stick grip.

The relays are rated at 1 amp. Fuses and circuit breakers are not included, but are highly recommended for all installations.

Test to determine if the servo(s) run in the direction that you desire. This direction can be changed by reversing the two white wires that connect the servo to the relay deck.

CAUTION!! Be careful that the two white wires running to the servo do not touch ground or short together. Do not power the relays with less than 12 VDC. The relays will become unreliable when powered with anything other than 12-14 VDC. Do not power the relays with a battery charger.

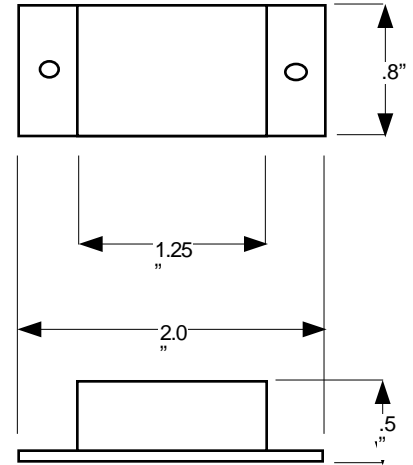
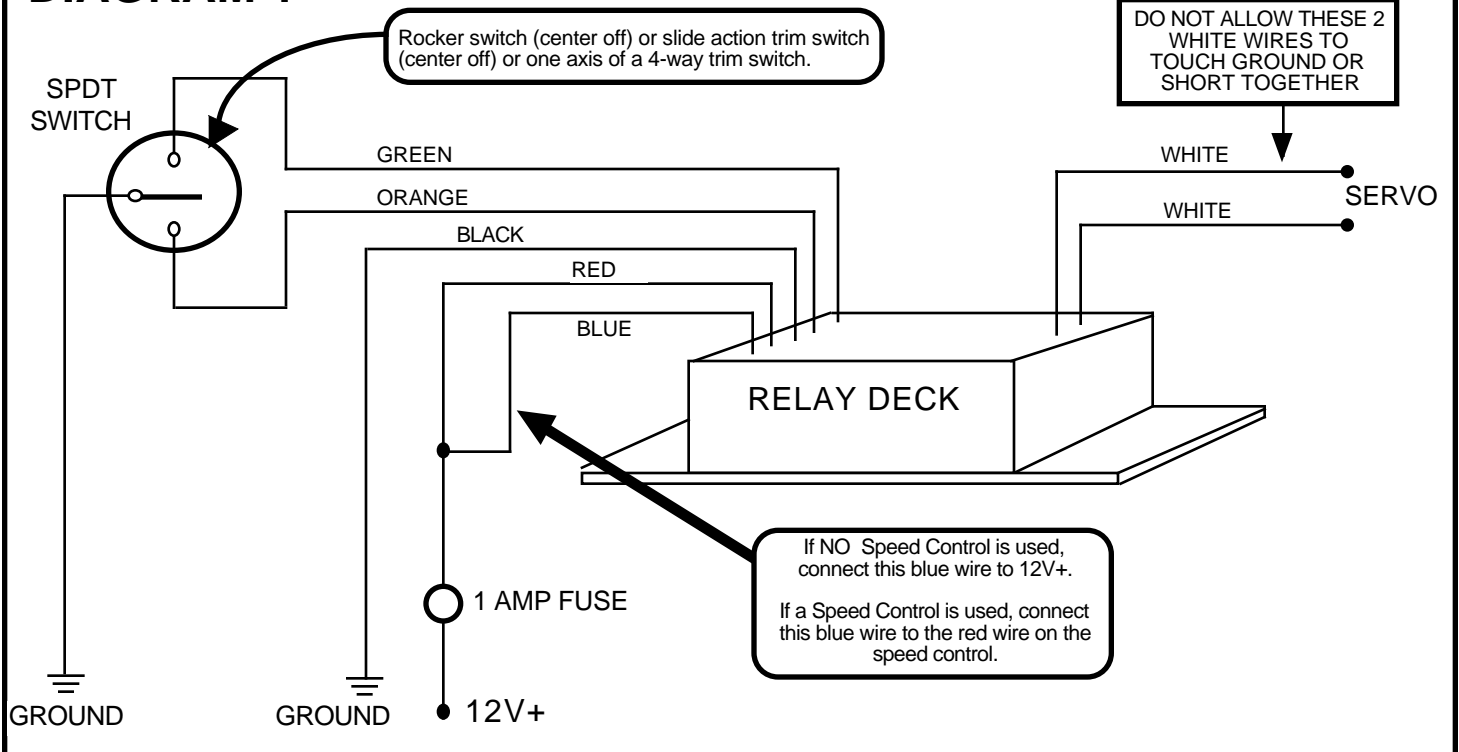


DIAGRAM 1



Warning: Installation and use of Ray Allen Company products is the responsibility of the aircraft designer and builder. Use of Ray Allen products in any application which will exceed their capability can cause failure leading to injury or death.

DIAGRAM 2

ROS-4 4-way Switch and REL-1 Relay Deck Installation Instructions

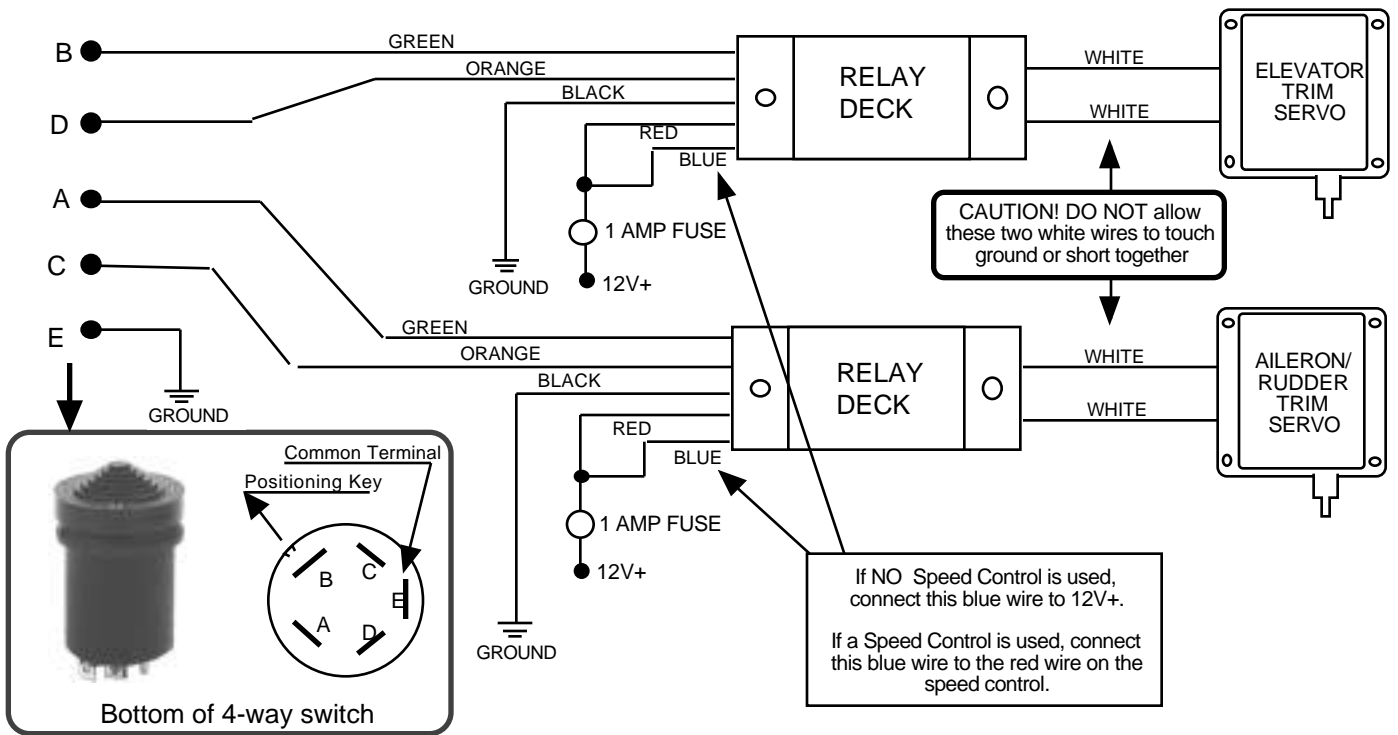


DIAGRAM 3

RAC Stick Grip and REL-1 Relay Deck Installation Instructions

